



Pedalpower GmbH
Pfarrstr. 115
10317 Berlin Germany
Tel. +49 (0) 30 551 532 70
Fax +49 (0) 30 551 532 72
www.pedalpower.de
post@pedalpower.de

PEDALPOWER

Cargo Bikes

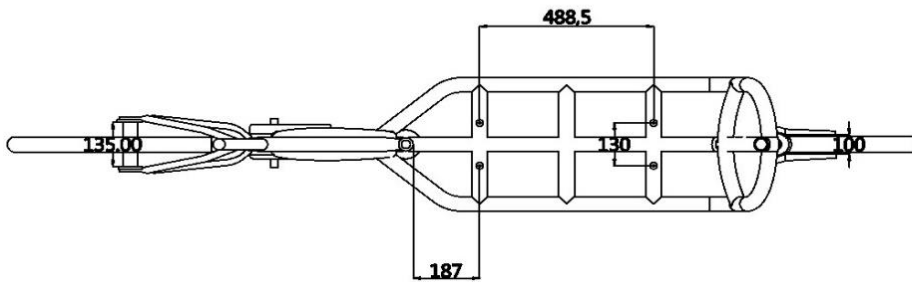
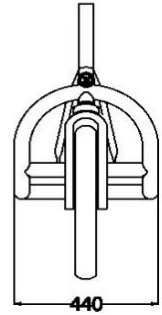
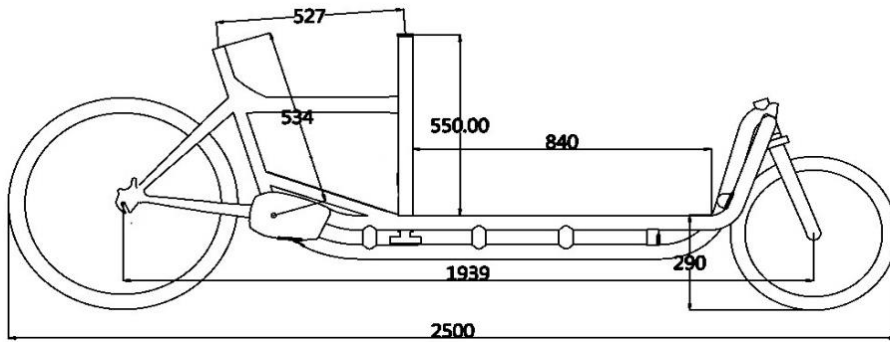
Price List

Geometric Reference Lists

Terms and Conditions of sale and delivery

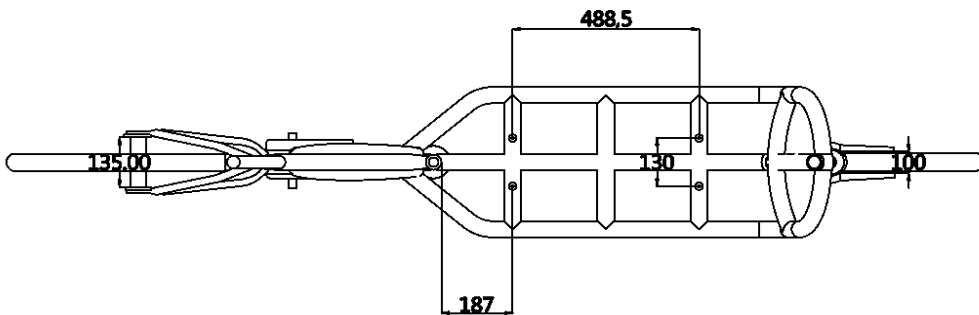
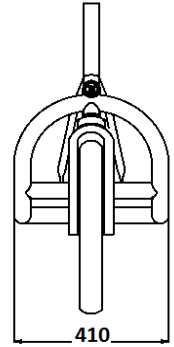
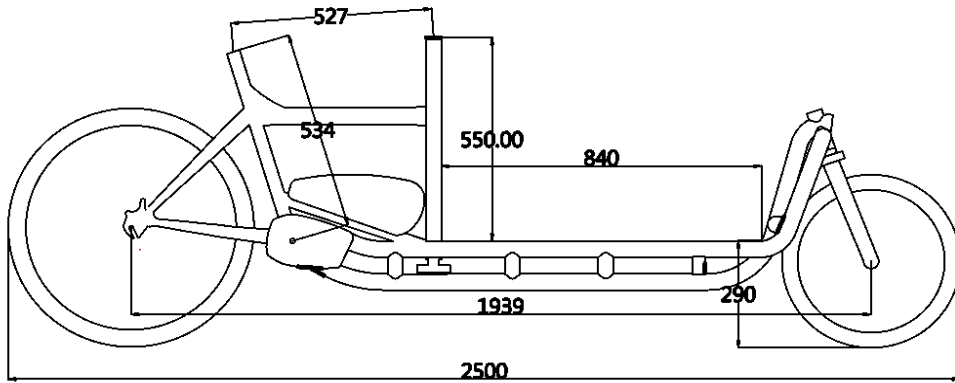
Dealer Catalogue

Updated 01.02.2023.



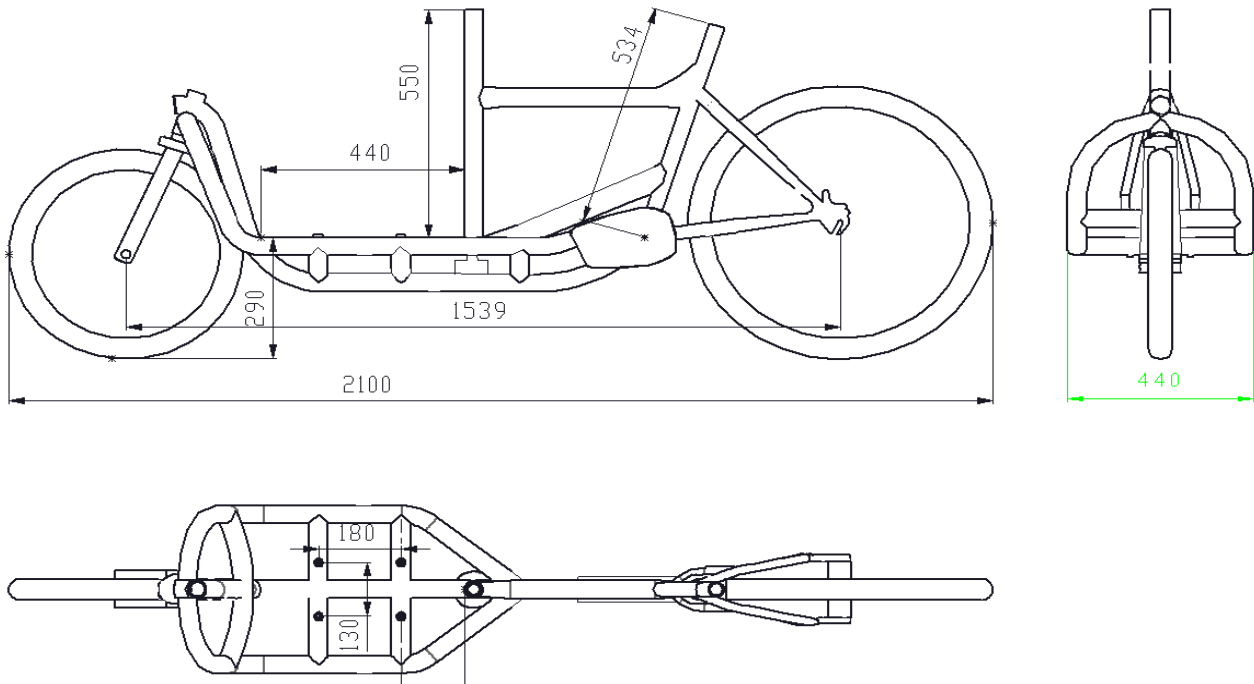
LONG HARRY

Order Number	Frame material: Aluminum Frame colour: matte black	Recommended retail price in Germany incl. VAT
PL0033	LONG HARRY ALU “Alfine” Gear assembly Shimano Alfine 8 speed hub, hydraulic disc brakes BENGAL	3.328
PL0046	LONG HARRY ALU “ENVEOLO” ENVEOLO Heavy-Duty Continuously Variable Transmissions, hydraulic disc brakes BENGAL	3.561
PL0034	LONG HARRY ALU “Alfine 11G” Gear assembly Shimano Alfine 11 speed hub, hydraulic disc brakes BENGAL	3.483
PL0035	LONG HARRY ALU “Rohloff” Gear assembly: Rohloff 14 speed hub 68025, hydraulic disc brakes BENGAL	4.005
PB006	Refitting to Brose midmotor with 630 Wh Battery	2.650
F2	Prices are quoted are in Euro and do not include packaging nor delivery. Packaging and delivery charges of assembled cargo bikes within Germany:	209



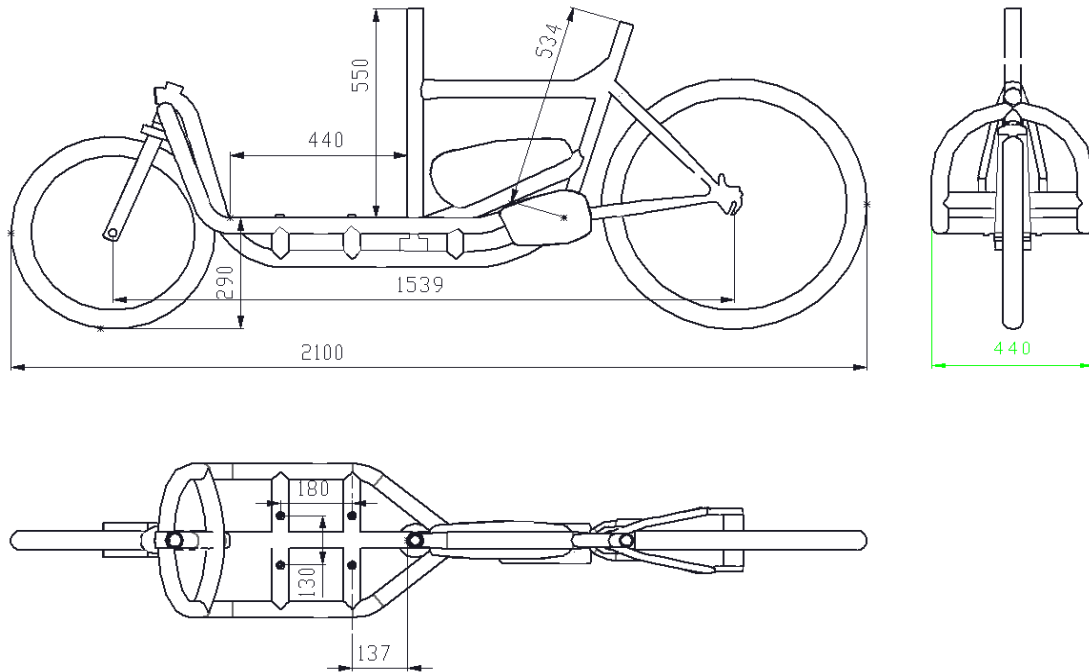
LONG e-HARRY Cargo

Order Number	Frame material: Aluminum Frame colour: matte black	Recommended retail price in Germany incl. VAT
PL0071	eHarry Cargo Brose cable steering, 630 Wh battery, gear assembly Shimano Alfine 8 speed hub, suspension fork Spinner Grind, lighting system, mudguards, Bengal hydraulic disc brakes	5.621
PL0072	eHarry Cargo Brose cable steering, 630 Wh battery, ENVEOLO Heavy-Duty Continuously Variable Transmissions, suspension fork Spinner Grind, lighting system, mudguards, Bengal hydraulic disc brakes	5.789
PL0073	eHarry Cargo Brose cable steering, 630 Wh battery, gear assembly Rohloff 14 speed hub 68025, suspension fork Spinner Grind, lighting system, mudguards, Bengal hydraulic disc brakes	6.428
F2	Prices are quoted are in Euro and do not include packaging nor delivery. Packaging and delivery charges of assembled cargo bikes within Germany:	209



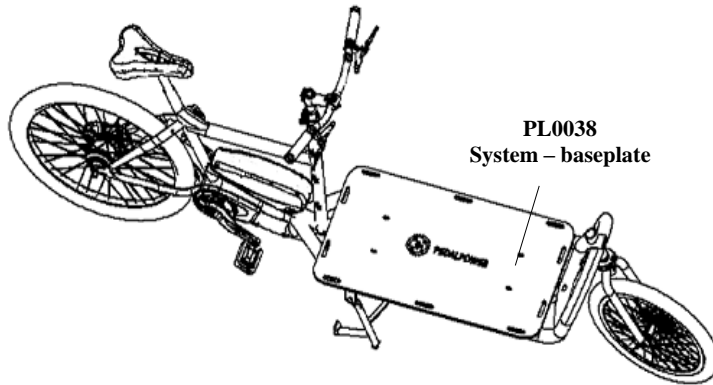
SHORT HARRY

Order number	Frame color: matte black	Recommended retail price in Germany incl. VAT
PLS 0050	SHORT HARRY frameset incl. Spinner Grind suspension fork, steering and bearings	2.585
PLS 0033	SHORT HARRY “Alfine” Shimano Alfine 8-speed hub gears, hydraulic disc brakes	3.328
PLS 0046	SHORT HARRY ENVEOLO Heavy duty hub continuously variable hub gears, Bengal hydraulic disc brakes	3.561
PLS 0034	SHORT HARRY “Alfine 11G” Shimano Alfine 11-speed hub gears, Bengal hydraulic disc brakes	3.483
PLS 0035	SHORT HARRY “Rohloff” Rohloff 14-speed hub 68025, Bengal hydraulic disc brakes	4.005
PB006	Retrofit with Brose mid-motor and 558 Wh battery	2.650
F2	Price for freight and packing of assembled cargo bikes within Germany	209

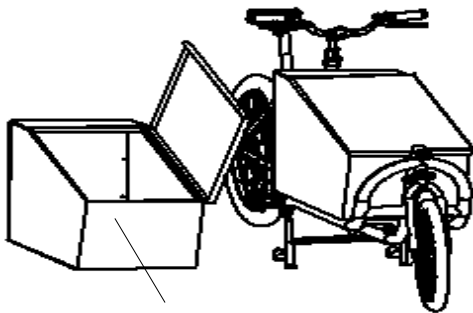


SHORT e-HARRY Cargo

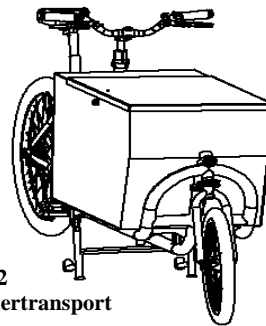
Order number	Frame color:	Recommended retail price in Germany incl. VAT
PLS 0071	SHORT e-HARRY Cargo Brose cable steering, 630 Wh battery, Shimano Alfine 8 speed, Spinner Grind suspension fork, Bengal hydraulic disc brakes , lighting system, mudguards	5.621
PLS 0072	SHORT e-HARRY Cargo Brose cable steering, 630 Wh battery, ENVEOLO heavy-duty hub, Spinner Grind suspension fork , Bengal hydraulic disc brakes , lighting system, mudguards	5.789
PLS 0073	SHORT e-HARRY Cargo Brose cable steering, 630 Wh battery, Rohloff 14 speed hub 68025T, Spinner Grind suspension fork, Bengal hydraulic disc brakes, lighting system, mudguards	6.428
F2	Price for freight and packing of assembled cargo bikes within Germany	209



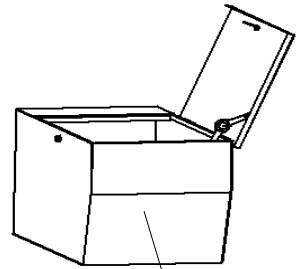
PL0038
System – baseplate



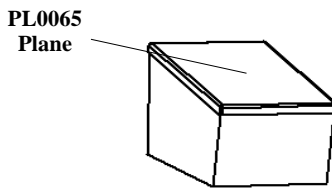
PL0069
ALU BOX Messenger L



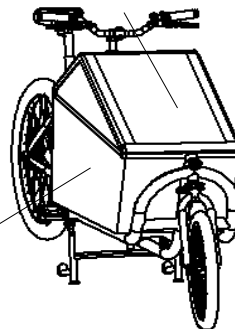
PL0062
Verdeck für Kindertransport



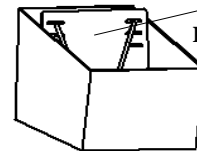
PL0049
ALU BOX Messenger XL



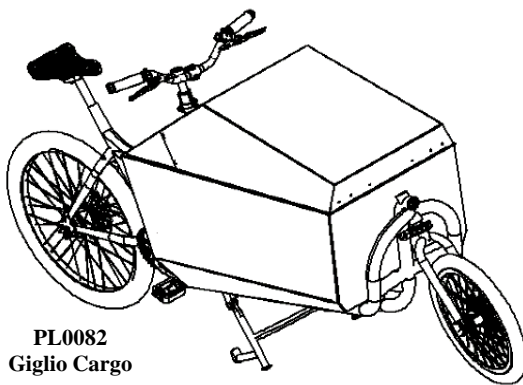
PL0065
Plane



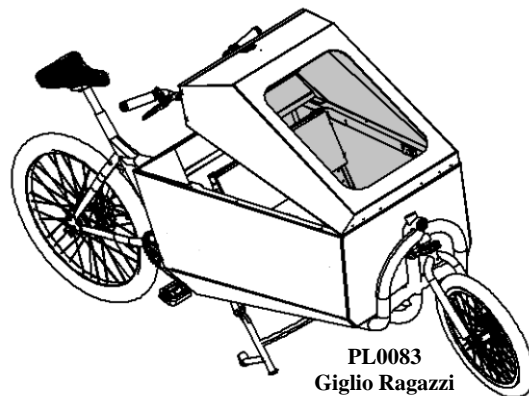
PL0052
Transportbox PIRUU



PL0053
Kindersitzbank



PL0082
Giglio Cargo



PL0083
Giglio Ragazzi

OPTIONAL PARTS / ACCESSORIES
for **LONG HARRY & eHARRY**

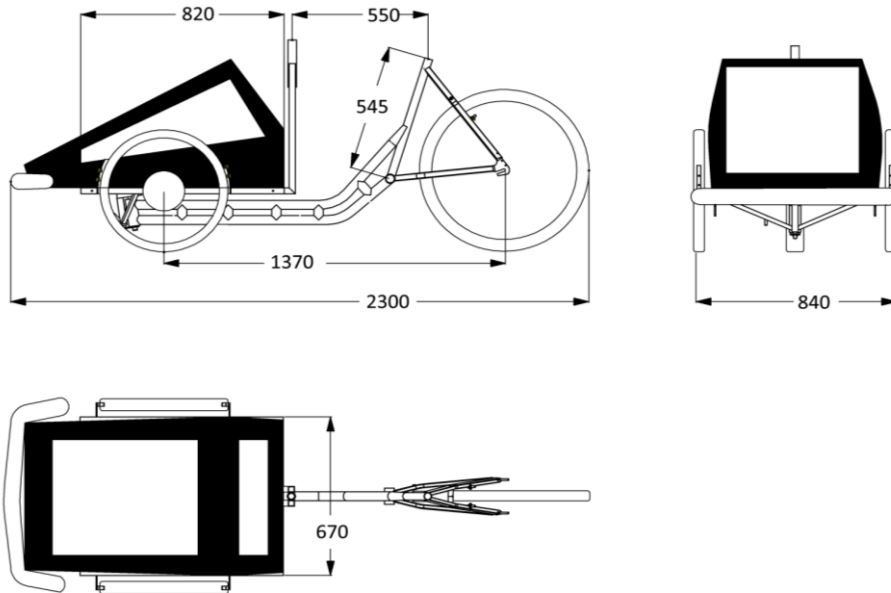
Order number	Price in EUR Shipping & packing not included	Recommended retail price in Germany incl. VAT
OP0001	Prefer a different colour? Then just give us the RAL number of your choice	from: 250
PL0058	Lighting system hub dynamo with Herrmans rear parking light in stop position, front Herrmans H-Diver 20 Lux ON, mudguards	198
PL0059	Carrier Alu	76
PL0038	System base plate with milled slots for load securing 800x440 mm	120
PL0069	ALU BOX Messenger L Sloped with Deckel, lock and lifting device, aluminum untreated, L800 x B419 x H532 mm / 157 liter	536
PL0049	ALU BOX Messenger XL included top cover, lock and lifting device, aluminum untreated, L 800 x W 500 x H 530 mm / 225 liter	640
PL0051	Long Harry ALU BOX Messenger powder-coated colour as requested	220
PL0081	Shoobox cover removable with 2 locks and sidelong tray	110
PL0082	Giglio Cargo lockable Alu Case powdered	1674
PL0083	Giglio Ragazzi with child's seat (foldaway), and cover with window, powder-coated	2191
PL0052	TRANSPORT Systembox PIRUU	386
PL0053	Children seat bench for two children for Systembox PIRUU with 5-points seatbelts	208
PL0087	Children seat bench for four children with seatbelts	544
PL0062	Hood for children transport	335
PL0066	Canvas cover for systembox PIRUU	162
PL0063	Maxi Cosi adapter	123
PL0042	Billboard for LONG HARRY Frametriangle	76
PL0064	Chain protection Horn Catena for Brose power unit	53
OP0108	BOOSTER spoke lock	37
PL0057	Mudguards	58

RETROFITTING OPTIONS FOR LONG HARRY

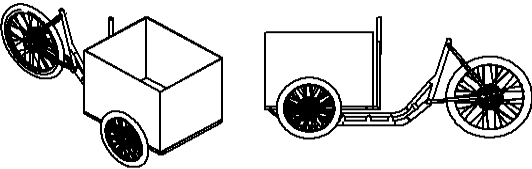
Order number	Price in EUR Shipping & packing not included	Recommended retail price in Germany incl. VAT
OP0113	Electric power system 8FUN front-wheel motor hub BPM 250 W 36V with 558 Wh storage-battery	2.055
OP0144	Electric power system NEODRIVES rear-wheel motor hub BPM 250 W 36V with 417 Wh storage-battery	2.572
OP0115	Electric power system 8FUN center motor BDS01 250 W 36V with 558 Wh storage-battery or 558 Wh luggage rack storage-battery	2.184

SPARE PARTS FOR LONG HARRY

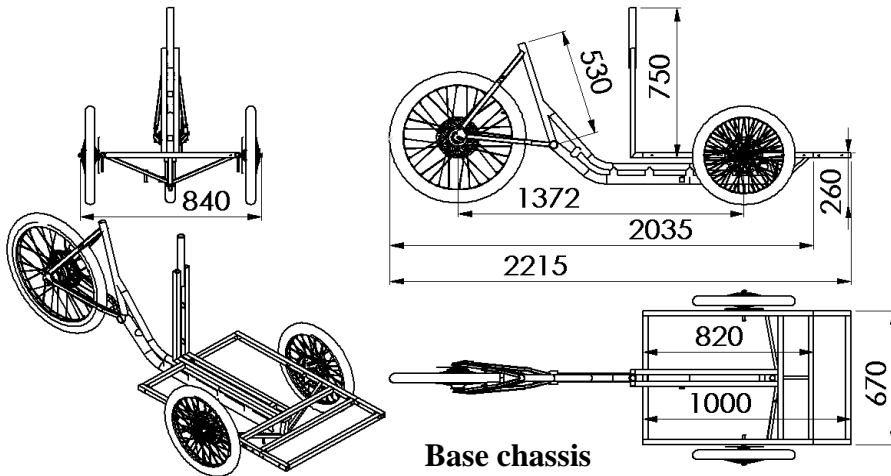
Order number	Price in EUR Shipping & packing not included	Recommended retail price in Germany incl. VAT
PL0043	Steering damper for LONG HARRY forward 2016	154
PL0054	Steering rod for LONG HARRY forward 2016	193
PL0055	Steering rod bearing front forward 2016	26
PL0056	Steering rod bearing rear complete forward 2016	65



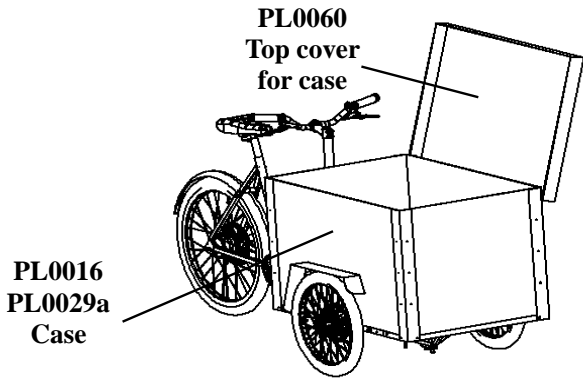
Children Transportation Bike "KTR"

Order number	Price in EUR Shipping & packing not included	Recommended retail price in Germany incl. VAT
PL0010	With a cabin for two children plus luggage case, 8. speed Shimano Nexus hub, mechanic discbrake in front, V-brake rear, lighting system, mud guards, carrier.	2.908
PL0086	<p>KTR conversion kit to Berliner Lastenrad 820x 670 cm</p> 	514
F2	<p>Prices are quoted are in Euro and do not include packaging nor delivery. Packaging and delivery charges of assembled cargo bikes within Germany:</p>	209

Berliner Lastenrad

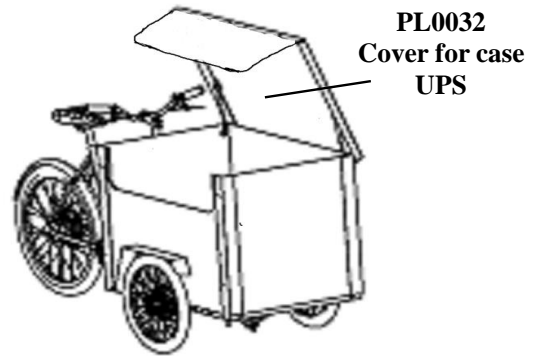


Base chassis

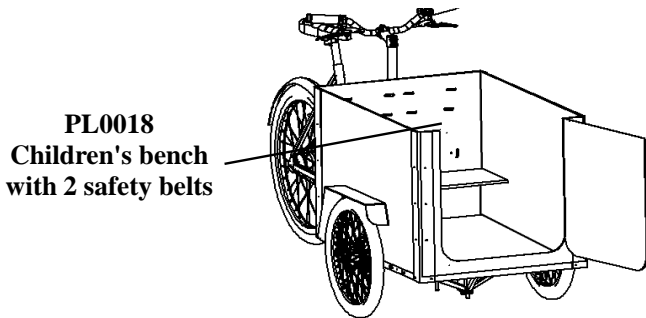


PL0016
PL0029a
Case

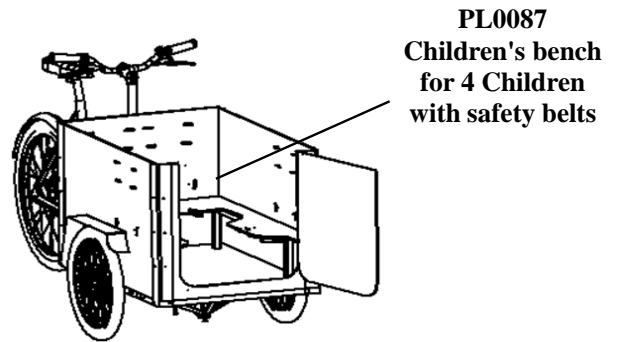
PL0060
Top cover
for case



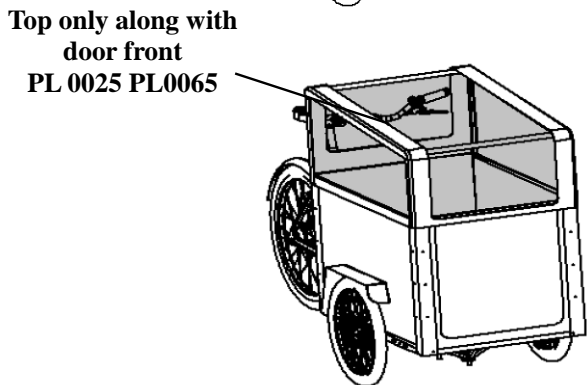
PL0032
Cover for case
UPS



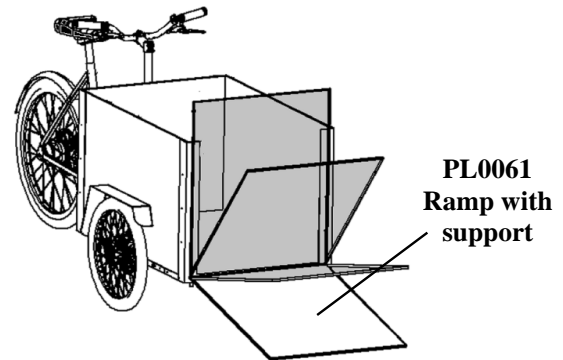
PL0018
Children's bench
with 2 safety belts



PL0087
Children's bench
for 4 Children
with safety belts



Top only along with
door front
PL 0025 PL0065

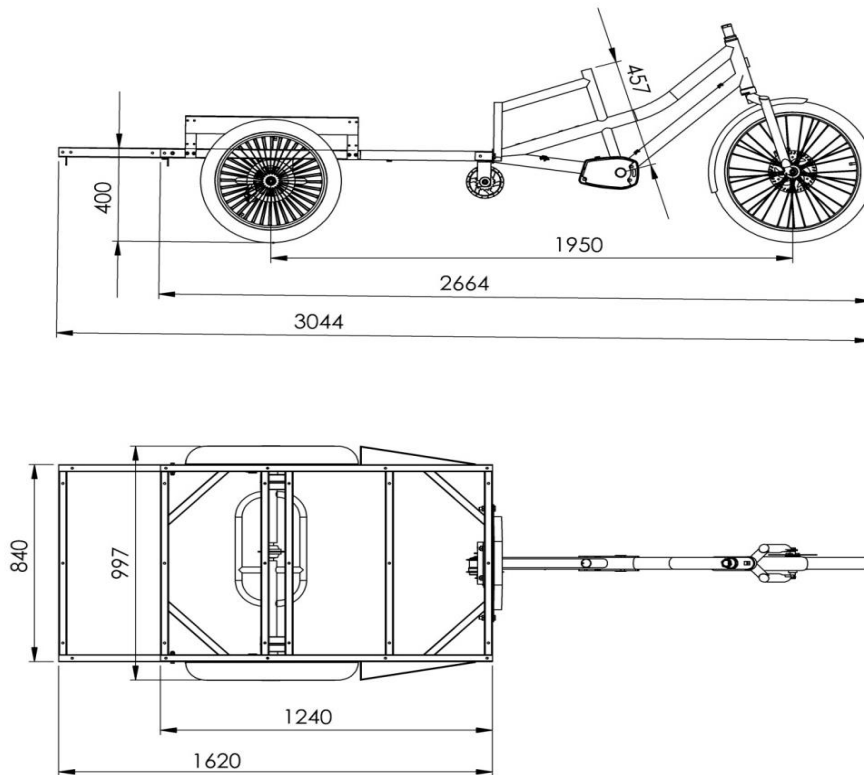


PL0061
Ramp with
support

Berliner Lastenrad 26"20" (Berliner Cargo Bike 26"/20")

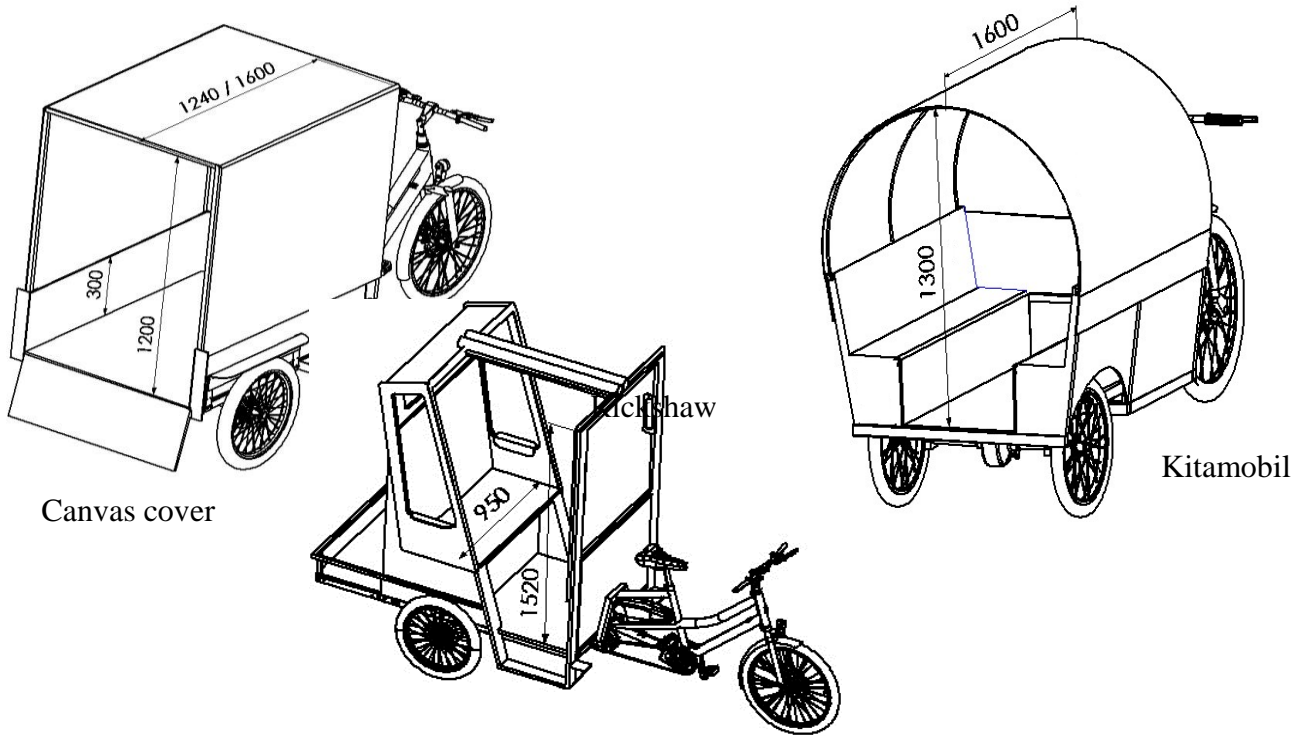
Order number	Price in EUR Shipping & packing not included	Recommended retail price in Germany incl. VAT
PL0015	BERLINER CARGO BIKE 26“ Base chassis (L 820 ; B 640) hydraulic discbrake in front, mechanical rear 8. speed SRAM hub.	2.401
OPTIONAL PARTS & ACCESSORIES		
Special structures		On request
PL0028	Special color base chassis	375
PL0027	Gear assembly: ENVEOLO Heavy-Duty Continuously Variable Transmissions	361
PL0022	Sidewall dynamo lighting system	115
PL0026	LED supplementary front light right side	37
PL0023	3 Mudguards	63
PL0024	Carrier	50
PL0016	Case (L 820 ; B670 ; H610)	385
PL0029a	Case (L 1000 ; B670 ; H610)	451
PL0017	Top cover for case (shoebox) L 820 without lock	244
PL0017a	Top cover for case (shoebox) L 1000 without lock	279
PL0060	Top cover for case (shoebox) L 820 with hinge-joints and rebound strap	283
PL0060a	Top cover for case (shoebox) L 1000 without lock with hinge-joints and rebound strap	318
PL0030	Lifting device 2 piece	115
PL0025	Door front	174
PL0061	Ramp with support	252
PL0032	Cover for case UPS	309
PL0018	Children's bench with 2 safety belts	286
PL0087	Children's bench for 4 Children with safety belts	544
PL0065	Top only along with door front PL 0025	335
PB005	Surcharge for BROSE center driving motor	2663
OP0108	BOOSTER spoke lock	37
F2	Prices are quoted are in Euro and do not include packaging nor delivery. Packaging and delivery charges of assembled cargo bikes within Germany:	209

Grizzly



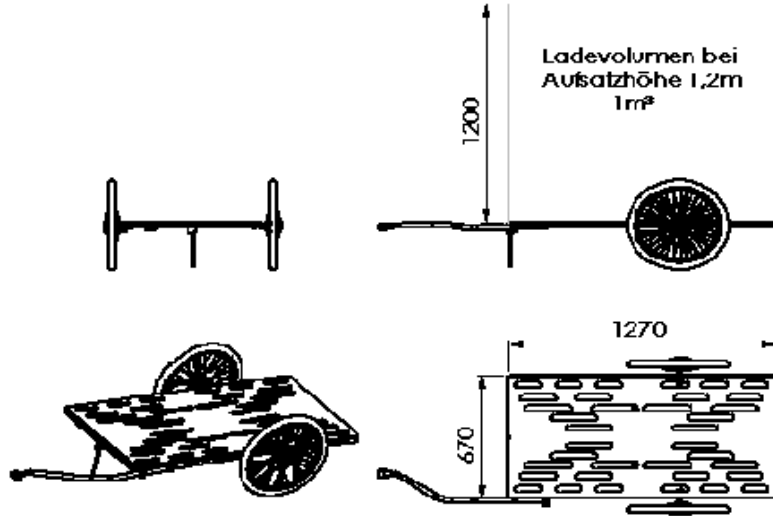
Order number	Price in EUR Shipping & packing not included	Recommended retail price in Germany incl. VAT
GR002	GRIZZLY Basic Steel tube frame included stage 1200x800 / 1600x800 silkscreen board 9 mm ENVEOLO Heavy-Duty Continuously Variable Transmissions, hydraulic disc brake front, hydraulic disc brakes rear with parking brake, lighting system: front LED, rear LED with parking light. Permitted gross vehicle weight depending on model and endowment / installation up to 300 kg rider included.	4.859
GR0021	Surcharge for Platform extension 1600X840mm	323
PB006	Surcharge for BROSE center driving motor with 630 Wh Battery	2.650
F8	Prices are quoted are in Euro and do not include packaging nor delivery. Packaging and delivery charges of assembled cargo bikes within Germany:	349

Grizzly Superstructures



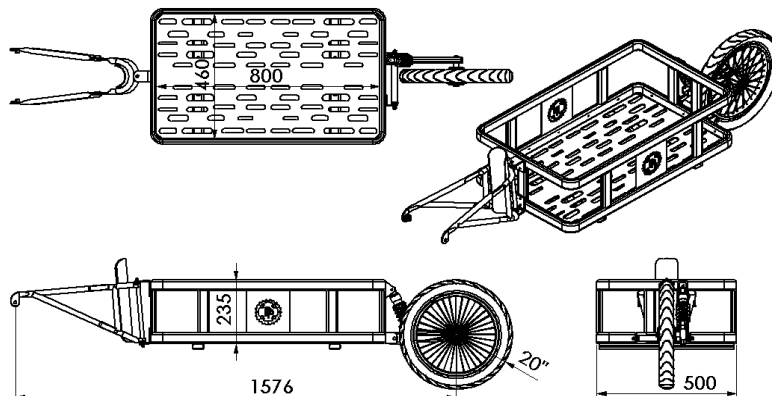
Artikel Nummer	Price in EUR Shipping & packing not included	UHP
PG0013	Rickshaw setting	4.071
PG0014	Pickup setting	892
PG0017	Platform setup with L 160 x H 30 cm	1.021
PG0020	Closed box with removable lid and door	2.559
PG0015	Canvas cover setting including roof stick	1.766
PG0018	Canvas cover with hoop and platform bei L 160 x H 30 cm	1.895
PG0016	Mobile daycare facility for children For 8 children with: stowage, door, canvas cover and seatbelts	3.477
Special superstructures available		
PG0019	Chain adjuster	115
F8	Prices are quoted in Euro and do not include packaging nor delivery. Packaging and delivery charges of assembled cargo bikes within Germany:	349

NUK Trailer



Order Number	Price in EUR Shipping & packing not included	Recommended retail price in Germany incl. VAT
PA0008	NUK Trailer with 1270x670mm loading platform	869
F6	Prices are quoted are in Euro and do not include packaging nor delivery. Packaging and delivery charges of assembled cargo bikes within Germany:	95

Trailer TRAILFIX



PA0001	Trailfix PEDALPOWER	548
PA0002	Alucase for the Trailfix	252
F6	Prices are quoted are in Euro and do not include packaging nor delivery. Packaging and delivery charges of assembled cargo bikes within Germany:	95

PEDALPOWER GmbH

**Pfarrstr. 115
10317 Berlin
post@pedalpower.de
www.pedalpower.de**

**Tel.: 0049 (0) 30 55153270
Fax : 0049 (0) 30 55153272
Ust-IdNr.:DE813044214
Steuernr.: 32 / 517 / 61317**

**Bankverbindung: Konto: 2745310004
Berliner Volksbank BLZ: 100 900 00
BIC: BEVODEBB
IBAN: DE89 1009 0000 2745310004**

TERMS AND CONDITIONS OF SALE AND DELIVERY 1**1. GENERAL INFORMATION**

Our deliveries and services are exclusively effected in accordance with our terms and conditions of sale and delivery. Any other contradicting or differing procurement provisions of our Buyers are hereby rejected. Terms and conditions of our Buyers shall only be binding for us if we expressly agree to them in writing. Should individual provisions of our terms and conditions be or become invalid, they are to be replaced accordingly. The validity of the remaining provisions shall not be affected hereby.

2. LIABILITY

Our confirmation of order in writing shall always be binding for all sales agreements. All agreements and commitments, whether they be verbal, by telephone or telegraphic that differ from our terms are only legally binding for us after acknowledgement in writing. By placing the order the customer acknowledges our terms and conditions of sale. The conditions remain valid for all present and future business relations between us even if an order has not been specially confirmed by us.

3. OFFER AND CONCLUSION OF CONTRACT

Our offers are subject to change. Illustrations, drawings, and weights and measures included in price lists, catalogues and other printed matter are only approximate and non-binding. An offer is deemed accepted, unless it is rejected by us within two weeks of receipt. Submission of the rejection within the period of time suffices whereby the postmark date is decisive.

4. DELIVERY AND DISPATCH

Delivery dates are only approximate and non-binding. Failure to meet the delivery deadline does not entitle the Buyer to terminate the contract/agreement after the due date has expired, before having extended the delivery date by at least 4 weeks; special edition models by 12 weeks. Claims for damages/compensation by the Buyer are excluded in all cases. Circumstances either beyond our control or for which we are not responsible entitle us to revoke the contract, excluding all claims for damages/compensation by the Buyer. Partial deliveries are permissible and deemed independent transactions. Dispatch is not insured and is at the Buyer's expense and risk even if free delivery has been agreed. Packaging will be charged.

5. NOTICE OF DEFECTS AND WARRANTY

Complaints of apparent defects can only be claimed by registered mail within 8 days on receipt of the goods. Notice of hidden defects must be contested on detection. We also only acknowledge hidden defects if we receive notice thereof within 2 months of dispatch at the latest. Proved defective delivery acknowledged by us will be replaced on return of the defective pieces. Claims to rescission of sale or reduction of the purchase price are excluded, as are claims for compensation. The Buyer is not entitled to withhold or counterbalance payments on account of eventual complaints.

6. PRICES

The prices valid on the day of delivery will be charged. This also applies to partial deliveries. The popular term "as usual" when ordering only applies exclusively to the execution and not the price. All prices quoted are EURO. The sales tax valid at the time will be added to the price and entered separately on the invoice.

7. PAYMENT

Payments are subject to the terms of payment on the invoice. No cash discount deductions are granted for bank transactions. Payments are only to be transacted via the accounts and/or authorities specified by us. Slippage entitles us to charge default interest. Bank debit rates are charged as default interest. Assertion of claims is subject to further default interest. If an invoice is not be paid by the date due, or a cheque or bill of exchange not honoured, any open cheques or bills and outstanding invoices will become due forthwith. The acceptance of bills and cheques are exclusively as payment, as long as their discharge or encashment is not firm and our bill or cheque-related liability continues. The Buyer bears the cost of discount charges and any other bill and cheque costs. If the Buyer is in arrears with the settlement of amounts invoiced, or if cheques or bills are protested, all receivables, even if not yet due are to be paid immediately. As regards our claims, set-offs are only permissible with due claims for payment, the amount of which is firm and the reasons for which are not disputed. The same applies to counterclaims.

PEDALPOWER GmbH

**Pfarrstr. 115
10317 Berlin
post@pedalpower.de
www.pedalpower.de**

**Tel.: 0049 (0) 30 55153270
Fax : 0049 (0) 30 55153272
Ust-IdNr.:DE813044214
Steuernr.: 32 / 517 / 61317**

**Bankverbindung: Konto: 2745310004
Berliner Volksbank BLZ: 100 900 00
BIC: BEVODEBB
IBAN: DE89 1009 0000 2745310004**

TERMS AND CONDITIONS OF SALE AND DELIVERY 2**8. SECURITY INTERESTS**

If the Buyer fails to meet financial obligations in due time, we are entitled to withhold the ordered goods until debts due has been paid. Claims for damages/compensation by the Buyer are excluded in this respect. The goods delivered by us remain our property until complete settlement of the purchase price including all accessory claims, and the retention of title includes all our deliveries, as long as there are still any claims on our part. The processing or workmanship of goods delivered by us and still our property is always effected on our behalf, without incurring liabilities for us. If the goods delivered by us are mixed or combined with other objects or items, the Buyer at this point cedes ownership or co-ownership rights of the mixed inventory or new object/item and holds it/them in safe custody for us with the due diligence of a conscientious businessman. If the Buyer sells the goods delivered by us, regardless of what condition they are in at the time – he hereby assigns to us, until full payment of all our claims, receivables and sums owing (including incidental claims) from goods delivered, the claims arising from the resale and any claims against its customer with all subsidiary rights. At our request the Buyer shall be obliged to inform the Buyer's customer of the assignment made and give us the necessary information and documents to assert our rights against the Buyer's customer. At the buyer's request we undertake to release securities should their value exceed our claims to be secured by more than 25%. The Buyer is not entitled to assign or pledge as security any goods to third parties as long as the retention of title still exists. If the conditional goods are pledged by third parties, the Buyer is obliged to report in writing to us at once. If the goods under retention of title are insured against fire and theft, then in the event of damage the Buyer transfers, cedes and assigns to us his eventual claims against the insurances to the value of the conditional goods.

9. PROTECTION PROVISIONS

All types, models etc. are our intellectual property. The Buyer or Recipient is not allowed to replicate or copy, to secure any property rights or in anyway exploit aforementioned. Nor is the Buyer allowed to sell said goods under a different name without our consent. we reject in advance any liability on our part for any damage, patent claims etc. also against third parties for products/models manufactured according to our own designs/constructions and based on our experience. The measurements, technical details, etc stated in our printed matter, brochures/pamphlets, etc. shall be non-binding. In the case of deviations no claims for compensation/damages can be filed against us.

10. RIGHT OF RESCISSION

Cases of force majeure such as war, natural disasters, interruptions of operations, strikes and lockouts, export bans, etc., which hinder procurement of raw materials, fabrication, or dispatch, give us the right to extend quoted delivery dates accordingly or withdraw from the contract completely, without aforementioned resulting in any claims for compensation/damages by the Buyer. Adverse credit claims, delay in payment or the occurrence of adverse changes in the Buyer's circumstances during the contract period entitle us to withdraw from delivery obligations, or at our discretion, to deliver the goods on advance payment or cash on delivery of the total amount on the invoice. In no way does this give the Buyer the right to bring any claims whatsoever against us. We shall also be entitled to withdraw from obligations to deliver if the Buyer has failed to meet earlier contractual obligations. Nor do such cases give the Buyer any rights whatsoever to make claims of any kind.

11. PLACE OF PERFORMANCE

Berlin shall be the place of performance for delivery and payment. The Berlin courts have jurisdiction and venue over all legal disputes and cases of litigation resulting from contracts concluded with us. Aforementioned shall also apply to actions filed under the summary proceedings based on bills of exchange, promissory notes and cheques. The event of entering into a contract with a non- or small trader shall expressly be agreed according to § 38 Para. 3 Sec. 2b of the code of civil procedure, the Berlin district court has jurisdiction over any summary proceedings.

12. GOVERNING LAW

German substantive and procedural laws apply exclusively.

Status 2023

PEDALPOWER - BERLIN

Dealer Index



PEDALPOWER – BERLIN

Händlerverzeichnis

BERLIN

PEDALPOWER GmbH (Tandems + Cargobikes) /
 hier: alle Modelle zum Probefahren in diversen Ausstattungen
 Pfarrstr. 115
 10317 Berlin
 Tel.: +49(0)30 55153270
 bitte telefonische Terminvereinbarung!
post@pedalpower.de

HESSEN

MAINVELO (Tandems + Cargobikes)
 Info: große Auswahl an Pedalpower Tandems im Geschäft
 Alt Harheim 27
 60437 Frankfurt am Main
 Tel.: +49(0)6101-48958
 bitte telefonische Terminvereinbarung!
info@mainvelo.de

BADEN WÜRTTEMBERG

ElektroRad Mott
 hier ausschließlich Tandem Modell „eDeep Detachable“
 unter Bezeichnung „Tauber-Tandem“
 Rathausstraße 3-7
 D-97922 Lauda-Königshofen
 Tel.: +49 (0)9343 – 627057-11
info@elektroRad-mott.de

FRANKREICH

Amsterdam Air (Tandems + Cargobikes)
 Zone d'activité de la Bretonnière
 11 rue René Descartes
 85600 Boufféré
serviceclient@amsterdamair.fr
 Phone: (+33) (0)285756033

BELGIEN

HET FIETSLAB ("ABIKES") (Tandems + Cargobikes)
 Paternostastraat 16
 3010 Leuven
info@fietslab.be
 Phone: +32 016 35 35 32

BAYERN

TRAUMVELO Spezialräder (Tandems + Cargobikes)
 Info: große Auswahl an Pedalpower Tandems im Geschäft
 Schwillacher Str. 2 a
 85570 Ottenhofen
 Tel.: +49(0)8121-61629
 bitte telefonische Terminvereinbarung!
andreas@traumvelo.de

NRW

PEDALWIRBEL (Tandems + Cargobikes)
 Info: große Auswahl an Pedalpower Tandems im Geschäft
 Querenburger Str. 25
 58455 Witten
 Tel.: +49(0)2302 / 9113113
 bitte telefonische Terminvereinbarung!
info@pedalwirbel.de

BADEN WÜRTTEMBERG

RADSPORT RADIAL GMBH
 Inselgasse 13
 DE-78462 Konstanz
 Telefon: 07531 - 22532
 Email: info@radial.de

NIEDERLANDE

Sector2 Bikes & Tandems (Tandems)
 große Auswahl an Pedalpower Tandems im Geschäft
 Rijksstraatweg 40
 3921 AJ Elst (Utr.)
info@sector2bikes.nl
 Phone: +31 0 318 503802

ENGLAND

London Green Cycles (Tandems + Cargobikes)
 Chester Court, Albany St
 London NW1 4BU
lgc@londongreencycles.co.uk
 Phone: +44 20 7935 6934



Pedalpower GmbH
Pfarrstr. 115
10317 Berlin Germany
Tel. +49 (0) 30 551 532 70
Fax +49 (0) 30 551 532 72
www.pedalpower.de
post@pedalpower.de